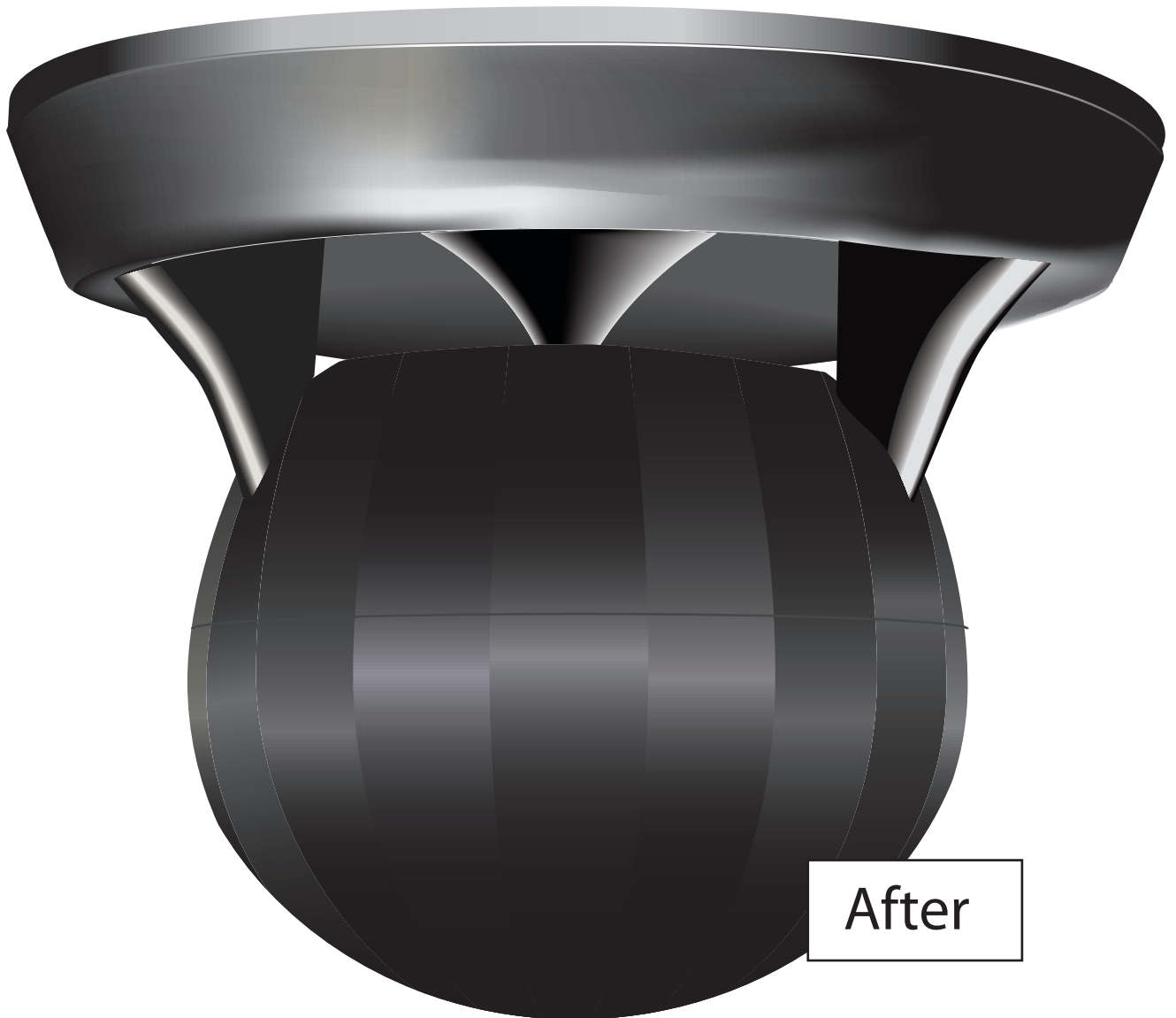


Before



After

# EQ-SPKOMW/B

## 6.5" Omnidirectional Speaker (White / Black)

### Installation Instructions:

1. Securely connect the suspension cables to the three holes around the speaker's top edge. (see Fig. 1)
2. Connect the opposite ends of the suspension cables together using the included carabiner clip.
3. Hang the carabiner clip from an eye hook, S-hook, toggle bolt, or other mounting device to a structural element of the building structure (ceiling joist, etc.) (see Fig. 2)

If you are installing in an area with a suspended (drop) ceiling, you will need to provide an additional suspension cable to extend from the building attachment point to allow the carabiner clip to hang just below the suspended ceiling. A small hole must be cut in the ceiling tile to allow the additional suspension cable and speaker wire to pass through the tile. (see Fig. 3)

**WARNING: The weight of this speaker is 5 pounds (2.2 kg). Ensure all user-provided mounting hardware is strong enough to securely support the speaker, to prevent the risk of injury. AMTC recommends 1/8 inch (3.18mm) or thicker steel fasteners. Observe all local safety codes.**

4. Use wire nuts to connect the positive speaker wire from your amplifier to one of the positive speaker wires protruding from the speaker's transformer. Select the colored wire based on the desired tap setting (see chart). Connect the negative speaker wire from your amplifier to the black wire protruding from the transformer. AMTC recommends 16-gauge speaker wire or larger. Observe all relevant building codes regarding wire gauge and shielding.

Input Voltage	70V	100V
Rated Power	Black	COM
White	3.75W	7.5W
Red	5W	10W
Yellow	7.5W	15W
Brown	10W	20W
Blue	15W	30W
Green	30W	DO NOT USE

**AMTC**  
Applied Media Technologies Corporation

✉ 4091 AMTC Center Drive • Clearwater, Florida 33764.6976

☎ 727.531.3105 🖨 727.531.3965 🌐 www.amtc.com

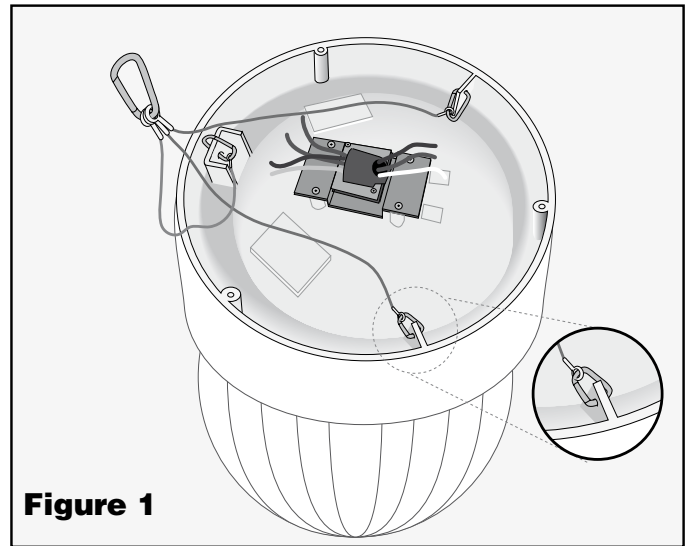


Figure 1

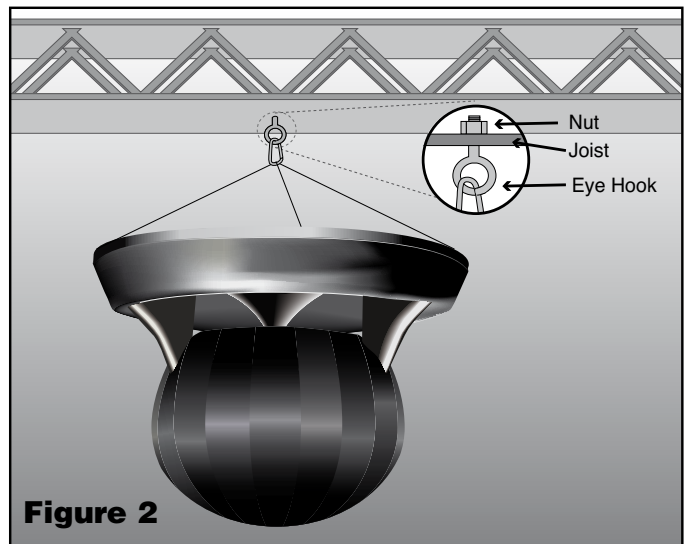


Figure 2

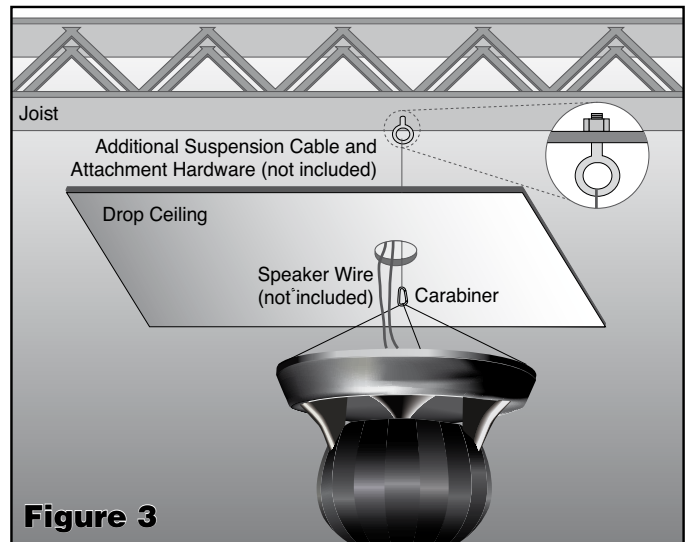


Figure 3