



DESIGN SAMPLES

Matthew Willis

727-418-5085 ♦ matthew@em-w.com

620-6th Street North ♦ St. Petersburg ♦ 33701

Client: SouthPaw Cabinetry, Inc
Responsibility: Design
company logo
Skills: Illustration, design
Tools: Illustrator, Photoshop

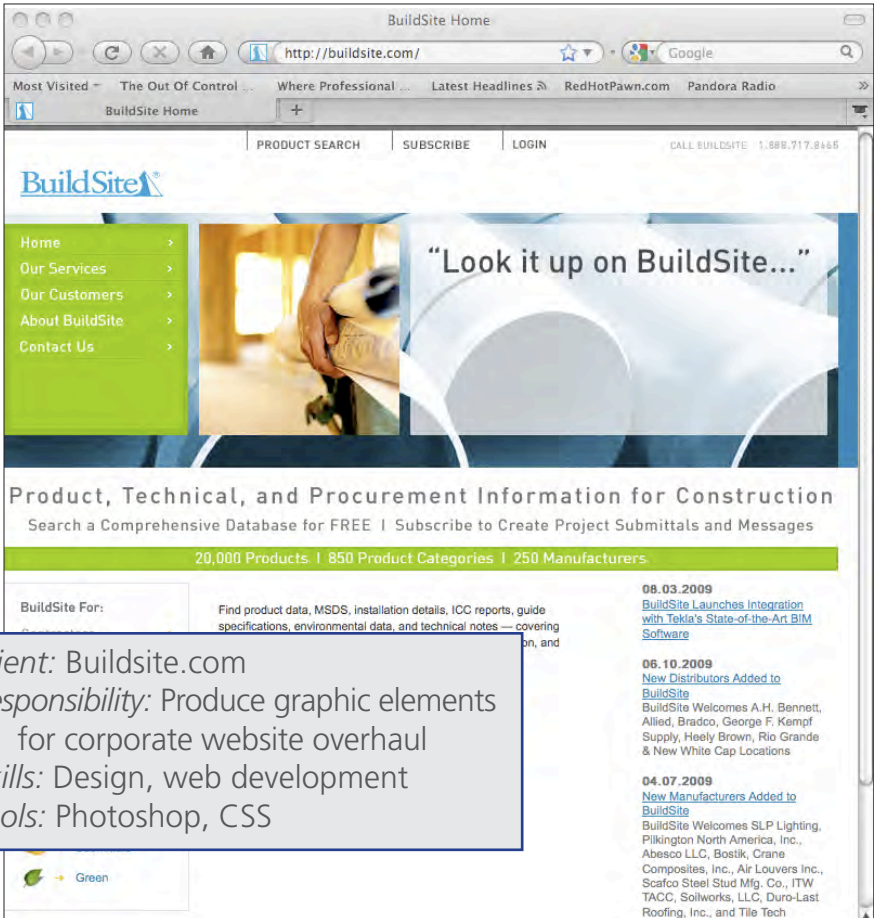


SOUTHPAW
Cabinetry, Inc.

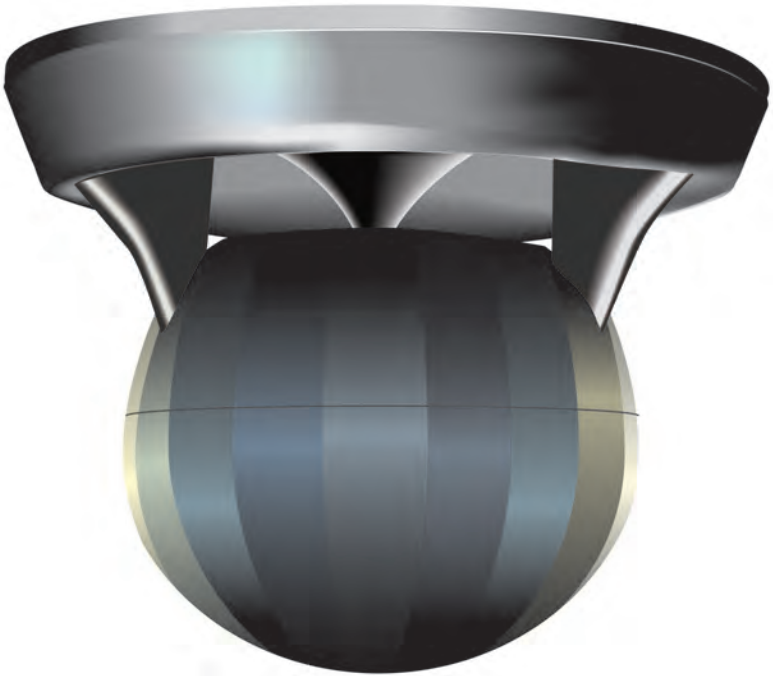
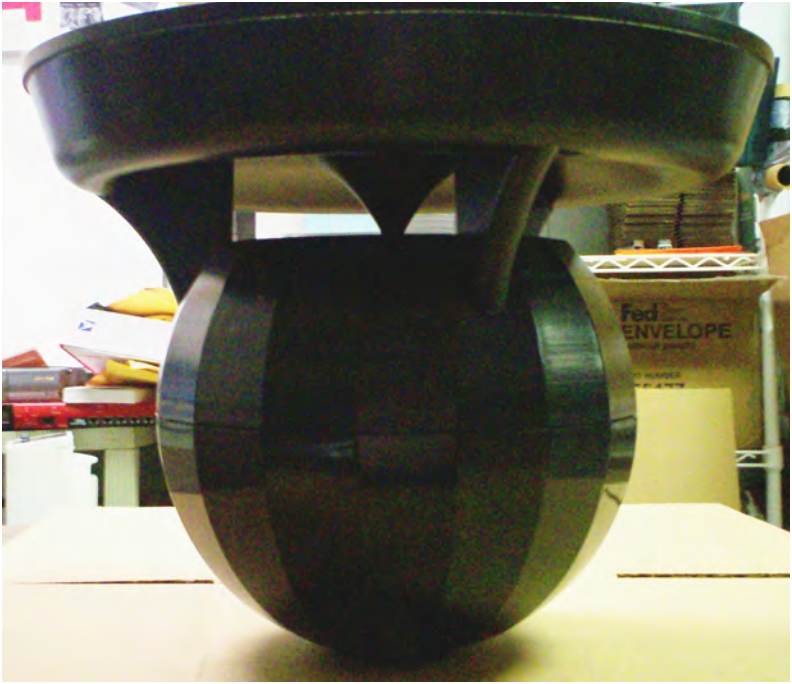


Bene...WISE

Client: Wittner National Group
Responsibility: Design logo for insurance enrollment software.
Provide animated version of logo.
Skills: Illustration, design, animation
Tools: Illustrator, Flash



Client: Buildsite.com
Responsibility: Produce graphic elements for corporate website overhaul
Skills: Design, web development
Tools: Photoshop, CSS



EQ-SPKOMW/B

6.5" Omnidirectional Speaker (White / Black)

Installation Instructions:

1. Securely connect the suspension cables to the three holes around the speaker's top edge. (see Fig. 1)
2. Connect the opposite ends of the suspension cables together using the included carabiner clip. (see Fig. 2)
3. Hang the carabiner clip from an eye hook, S-hook, toggle bolt, or other mounting device to a structural element of the building structure (ceiling joist, etc.) (see Fig. 2)

If you are installing in an area with a suspended (drop) ceiling, you will need to provide an additional suspension cable to extend from the building attachment point to allow the carabiner clip to hang just below the suspended ceiling. A small hole must be cut in the ceiling tile to allow the additional suspension cable and speaker wire to pass through the tile. (see Fig. 3)

WARNING: The weight of this speaker is 5 pounds (2.2 kg). Ensure all user-provided mounting hardware used are strong enough to securely support the speaker, to prevent the risk of injury. AMTC recommends 1/8 inch (3.18mm) or thicker steel fasteners. Observe all local safety codes.

4. Use wire nuts to connect the positive speaker wire from your amplifier to one of the positive speaker wires protruding from the speaker's transformer. Select the colored wire based on the desired tap setting (see chart). Connect the negative speaker wire from your amplifier to the black wire protruding from the transformer. AMTC recommends 16-gauge speaker wire or larger. Observe all relevant building codes regarding wire gauge and shielding.

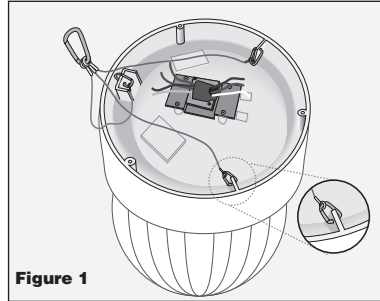


Figure 1

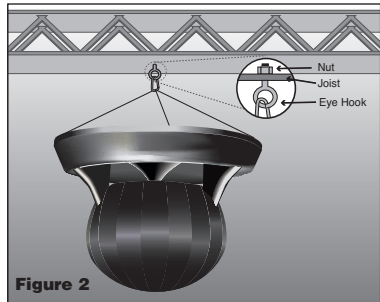


Figure 2

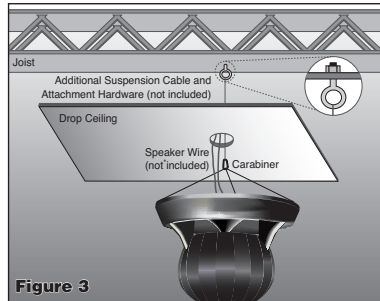


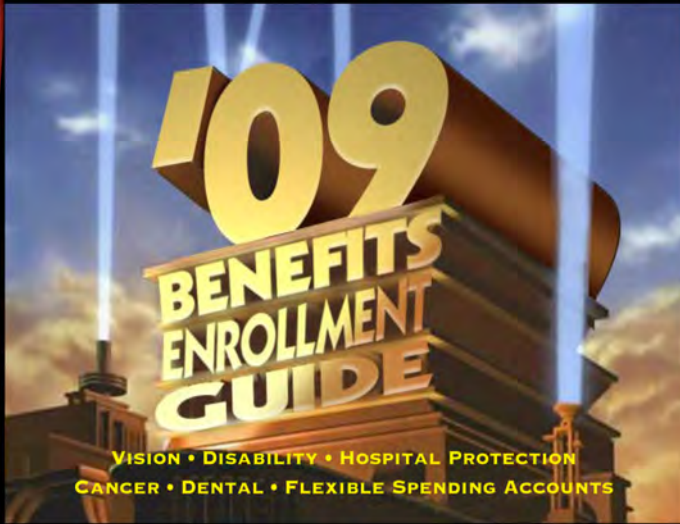
Figure 3

Input Voltage	70V	100V
Rated Power	Black	COM
White	3.75W	7.5W
Red	5W	10W
Yellow	7.5W	15W
Brown	10W	20W
Blue	15W	30W
Green	30W	DO NOT USE

AMTC
Applied Media Technologies Corporation

4091 AMTC Center Drive • Clearwater, Florida 33764.6976
727.531.3105 727.531.3965 www.amtc.com

Client: Applied Media Technology
Responsibility: Create Illustrations
of Omnidirectional Speaker and
installation instructions.
Skills: Design, Technical Illustration
Tools: Illustrator, InDesign



AFLAC

Hospital Protection

Annual Hospitalization Confinement Benefit

Aflac will pay the amount listed below for the first five days of hospitalization when a covered person requires hospital confinement for a covered sickness or injury and a charge is incurred.

Sickness \$400 per day

Injury \$500 per day

Benefits for the Annual Hospitalization Confinement Benefit are limited to a total benefit payment of five days per calendar year, per policy. Confinements not separated by 30 days or more, or hospitalization that begins prior to the end of one calendar year and continues into the next calendar year, will be considered one confinement.

Daily Hospital Confinement Benefit

Aflac will pay \$100 per day for the period of hospital confinement* when a covered person requires hospital confinement for a covered sickness or injury. This benefit is payable in addition to the Annual Hospitalization Confinement Benefit. The maximum benefit period for any one period of hospital confinement is 365 days. No lifetime maximum.

Invasive Diagnostic Exams Benefit

Aflac will pay \$100 when a covered person requires one of the following exams and a charge is incurred: arthroscopy, bronchoscopy, colonoscopy, cystoscopy, gastroscopy, laryngoscopy, sigmoidoscopy, esophagocopy, or myringoscopy. These exams must be performed in a hospital or an ambulatory surgical center. Only one benefit is payable per 24-hour period, per covered person. When an invasive diagnostic exam and a surgical benefit are performed on the same day, only one benefit is payable per 24-hour period. The highest eligible benefit will be paid. No lifetime maximum.

Surgical Benefit

Aflac will pay \$50-\$1,000 when a surgical operation is performed, including a vaginal or cesarean delivery,



is payable per 24-hour period for surgery, even though more than one surgical procedure may be performed, the highest eligible benefit will be paid. Exams covered under the Invasive Diagnostic Exams Benefit are not payable under this benefit. No lifetime maximum.

Surgical Benefits are not payable for surgery performed in a doctor's or dentist's office, clinic, or other such location. Surgical Benefits are not payable for losses caused by or resulting from elective surgery that is not medically necessary within the first 12 months of the effective date of the policy unless the loss begins after 12 months from the effective date of the policy.

Outpatient Surgical Room Charge Benefit

Aflac will pay the amount listed below when a covered person has a surgical operation or an invasive diagnostic exam performed on an outpatient basis in a hospital, including an ambulatory surgical center. This benefit is not payable on the same day as the Hospital Confinement Benefit, no lifetime maximum on the number of operations. Surgical operation or invasive diagnostic exam with general anesthesia \$300 Surgical operation or invasive diagnostic exam without general anesthesia \$100

Guaranteed-Renewable

Guaranteed-renewable for your lifetime, right to change premiums by class late.

Includes the insured, spouse, and dependent children to age 19 (or 23 if they

Client: Manatee School Board
Responsibility: Design employee insurance benefits guide with "Movie Theme"
Skills: Design, photo editing
Tools: Photoshop, InDesign

“ We had such a wonderful week travelling in Romania and we loved staying in your delightful guest house... I shall never forget the vision of all those wild flowers everywhere.
— Penny Daintry, UK **”**

About Archita

Archita was settled by Germans around 1200. Arkelken came from the Hungarian “erek” which means arch or arc (our position in the landscape explains everything).



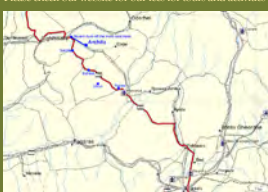
Archita was a German community of 100 families until around 1700. Nowadays, Archita has about 600 residents of Romanian, Roma, and Saxon origins. People make their livings in agriculture, livestock (mostly sheep), and working in the nearby city of Sighisoara. Our village has a well-preserved, fortified church in the center of town (and right across the street from our guest house). It has two walls and six of the original nine towers. The original church was a Roman basilica with three naves built in the 13th century, and got its bell tower, made abroad, in 14th century. In 1500 the basilica was turned into single-nave gothic church, and its altar was made in 1777 in baroque style.

Explore the countryside

- Fortified churches of Biertan, Viscrii, and Saschiz, and other remote, well-preserved Saxon villages.
- The villages Zetea and Corund, where traditional crafts are still practiced
- The medieval town centers of Sighisoara and Medias
- The Seckler region near Ordoerhei Secuiesc.

2007 Rates

39 Euros per person full board
25 Eur per person half board (breakfast only)
Discounts are available for longer stays
Please check our website for our fees for tours and activities



Getting here

We are about 2.5 hours from the Sibiu international airport, and five hours from the Bucharest international airport. We can pick you up at either location.

Or, you can take the train directly to us. We are two hours from Brasov, or five hours from Bucharest.

Make reservations

Contact us by phone or email to make reservations. We look forward to hearing from you!



Archita Guest House
#18 Drumul Principal
Archita, Romania
www.archita.ro
+40 762 684 576
architaguesthouse@yahoo.com

Experience rural life in Transylvania with us...



ARCHITA GUESTHOUSE



Welcome to Archita Guesthouse!

Explore the Transylvanian countryside from an elegant, 100-year-old Saxon home, which we lovingly restored over 2007 and 2008.

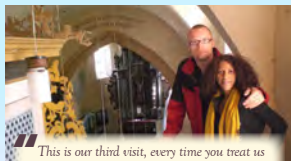
We are located in Archita: a small, picturesque and unspoiled Saxon village at the heart of Transylvania, 45 minutes from Sighisoara. We are within easy reach of both the Saxon and Seckler regions of Central Romania.

Surrounded by undeveloped hillsides and forests and connect with an extensive network of low-traffic country roads, Archita Guesthouse is a perfect place for a walking or cycling holiday.

Enjoy your time with us in a variety of ways:

Hiking and nature walks

Explore the rolling hills surrounding Archita which are home to a variety of animals, including deer, bear, wolves, and foxes. You can link up with other villages where we can pick you up after a day of walking (or arrange overnight accommodation for you).



This is our third visit, every time you treat us like gold. We love the hearty food and waking up to the birds singing. — Simon and Hiar, Bucharest



Cycling

Take our mountain bikes out and visit nearby villages, or take a day trip to nearby Odorheiu Secuiesc. We have 4 high-quality mountain bikes for your use.

Relaxing

If you just want to unwind, work on your writing, or have unstructured, relaxing days—this a perfect way to spend your time with us. Participate in village life with us as much as you like, take a bike out for a ride, have a picnic, or take a day trip to Sighisoara or Brasov.

Explore Transylvania

Our guide will take you to nearby Saxon and Seckler villages where we arrange visits to the ancient, fortified churches and special visits with local residents and craftsmen.

Activities and tours are customized to your interests.

Accommodations

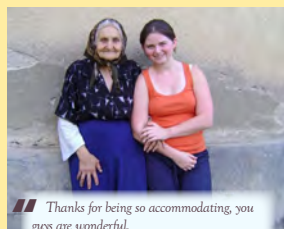
We have 4 large, spacious bedrooms, each with its own modern, en suite bathroom and queen-size beds. Our cozy bedding is high-quality, natural fiber. Furnishings are a mix of antiques and comfortable modern pieces—many of which were handmade in the village.

Our bedrooms comfortably sleep 2 or 3 people. All rooms in the house are heated by wood-burning stove.



We have different spaces for relaxing: two living rooms, a massive oak deck, and other outside and inside places.

Hearty meals are prepared using traditional recipes and local ingredients and we will send you on your excursions with packed lunches.



“ Thanks for being so accommodating, you guys are wonderful.
— Ireland Family, North Carolina USA **”**



Welcome to the Archita Guesthouse | Archita Guesthouse

http://www.archita.ro/ Google

Most Visited The Out Of Control ... Where Professional ... Latest Headlines ... RedHotPaw.com Pandora Radio No-IP™ Free

Welcome to the Archita Guesthouse...

Archita Guesthouse

[Welcome](#)
[Accommodation](#)
[About Archita](#)
[Activities](#)
[Getting here](#)
[Rates](#)
[Contact](#)



Welcome to the Archita Guesthouse

Experience rural life in Transylvania, Romania with us
 the Archita guesthouse is a spacious, 100-year-old Saxon home which we lovingly restored over 2007 and 2008. We are located in Archita, Romania: a small, picturesque and unspoiled Saxon village at the heart of Transylvania.

We are within easy reach of both the Saxon and Seckler regions of Transylvania, Central Romania.



Accommodation
 We have 4 spacious bedrooms, each with its own modern, en suite bathroom and queen-size beds. Our cozy bedding is high-quality, natural fiber. Furnishings are a mix of antiques and comfortable modern pieces ... [more](#)



About Archita
 Archita (in German, "Arkenen") was settled by Germans

Find: Match case

Done

Client: Archita Guesthouse

Responsibility: Produce website and brochure with a consistent "look and feel" for Bed & Breakfast service in a Transylvanian village

Skills: Web and print design

Tools: Photoshop, InDesign, DreamWeaver, HTML



your life. your benefits. choose wisely.

dental • vision • disability • hospital • cancer • flexible spending accounts



2007 Benefits Enrollment Guide

Client: Wittner National Group

Responsibility: Design client's employee benefit guide, as well as "remember to enroll" postcard and HTML-based, mass e-mail

Skills: Design, web development

Tools: Photoshop, InDesign, Illustrator, HTML



OPEN ENROLLMENT

begins

SEPT 18

and ends

OCT 13

MARK YOUR CALENDAR

TABLE OF CONTENTS



Benewise Online Enrollment.....	2
Medical	5
Dental	8
Life ^{AND} AD&D Insurance	10
Long-Term Disability	12
Short-Term Disability.....	13
Flexible Spending Accounts	14
Additional Voluntary Benefits	18
Frequently Asked Questions	19



Reviving Traditions

Home-Visiting Care

The Hearth & Home midwife comes to your home for your prenatal visits. Home based prenatal visits become a fun "family affair."

Home birth means you don't have to go anywhere once you are in labor. The midwife comes to you.

Postpartum home visits encourage mama to rest and keep the family focused on bonding.

Maya Abdominal Uterine Care

The Arvigo Techniques of Maya Abdominal Uterine care assist a woman to be more comfortable during her pregnancy.

The abdominal work helps relieve indigestion, heartburn and tension.

The uterine work aligns the uterus properly allowing the baby to move into an optimal position.

The sacral work helps to relieve backache and sciatic pain and aligns the pelvis for a smooth labor and birth.

This gentle external treatment also facilitates the body to balance the hormones and helps the cervix to be ready for labor.



Study Affirms Home Birth Safety

On June 18th 2005, the British Medical Journal published a study called "Outcomes of planned home births with certified professional midwives: large prospective study in North America."

The study of 5418 women affirmed that:

- Planned home birth with a certified professional midwife was associated with a high degree of safety and maternal satisfaction. Over 57% of mothers successfully birthed at home without requiring transfer to a hospital.
- At the six week postpartum visit 96% of mothers and babies were in good health with no problems. 95.8% were breastfeeding, 89.7% exclusively.
- Women who planned home births were less than half as likely to receive medical interventions as those who planned hospital births. Planned home births were associated with lower rates of:
 - Caesarean section (3.7% versus 19.0%)
 - Episiotomy (2.1% versus 33.0%)
 - Vacuum extraction (0.6% versus 5.5%)
 - Electronic fetal monitoring (9.6% versus 84.3%)

To review the entire study go to:
[http://bmj.bmjournals.com/cgi/content/full/330\(7603\)/1416-02m](http://bmj.bmjournals.com/cgi/content/full/330(7603)/1416-02m)

Hearth & Home MIDWIFE

Hearth & Home MIDWIFE



Home Birth with a Midwife

Anne Hirsch
Licensed Midwife
Certified Professional Midwife

Serving the Tampa Bay Area

(727) 452-6188
midwifehomebirth.com

My name is Anne Hirsch, CPM, LM. I am licensed by the state of Florida (MW143) and certified by the National Registry of Midwives as a Certified Professional Midwife.

The Florida Licensed Midwife provides a unique brand of woman-friendly maternity care for women having normal healthy pregnancies and births.

My joy is "home birth" and "home visiting" care. The Hearth & Home midwife provides you, the childbearing woman, your baby and your family with personal, empowering, safe maternity care, and a gentle birth for you and your baby.



Water Birth

If you are a person who takes a warm bath to relax, you understand how beneficial water can be. Water allows the body to unwind, soften and open during labor and birth.

Babies can be born directly into water. This gives them a gentle transition to life outside the womb.

If you choose a water birth, Hearth & Home Midwifery brings a portable "Aquadoula" tub to your home for your labor and birth.



Prenatal Care

a sacred journey begins

Woman-centered,
Family-focused

- Care is individualized according to each woman's needs and desires
- Family is welcome and included

Nutrition and lifestyle

- Focus on healthy eating, exercise, rest and relaxation habits
- Foods, nourishing herbs and remedies help with discomforts of pregnancy

Education

- Teaching packets at initial and 7 month visits
- Childbirth education
- Breastfeeding class

Clinical monitoring

- Screening blood work
- Physical exams
- Referral for ultrasound
- Visits:
 - monthly to 7 months
 - every 2 wks to 36 wks
 - weekly until birth

Giving Birth

a new family emerges

Your body knows best

- Midwife encourages you to follow your body's cues
- Walking and position changes help your labor progress
- Drink and eat during labor

Coping with labor

- A private, calm environment helps you relax
- Comfort measures assist you
- Loved ones give support

Your baby

- Comes directly into your arms
- Delayed cord clamping facilitates a gentle transition

Monitoring during labor

- Handheld doppler monitors baby heart rate
- Mother's vital signs are checked

Postpartum

nurturing the future

Breastfeeding support

- Continuous contact between mama and baby supports the first hours of breastfeeding
- Ongoing midwife support with home visits as needed

Infant massage

Midwife teaches infant massage techniques to help soothe and relax your little one

Clinical aspects

- Follow-up visits at 2 days, 1 week and as needed
- 6 week completion visit



Call for a free consultation • midwifehomebirth.com
(727) 452-6188



Client: Hearth & Home Midwife

Responsibility: Design logo and corporate identity for midwifery service. Produce brochure and business cards. Coordinate printing.

Skills: Design, pre-press, print coordination

Tools: Photoshop, InDesign, Illustrator



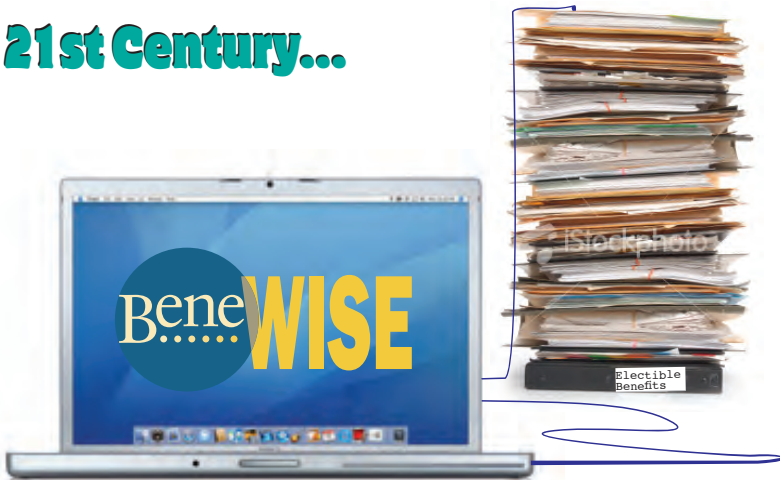
Client: 2009 SIS Conference for Women in Recovery

Responsibility: Design logo and coordinate printing of conference materials

Skills: Design, Illustration pre-press, print coordination

Tools: InDesign, Illustrator

Connect your employee benefits enrollment system into the 21st Century...



EAF proudly presents BeneWise, an exclusive new member service.

For your employees:

- Lorem ipsum dolor sit amet, consectetur adipiscing elit.
- Etiam congue lacinia lacus.
- Cras tincidunt nisl sit amet metus.
- Quisque vitae arcu et magna dictum lobortis.

For your benefits team:

- Proin semper magna non est.
- Vestibulum semper leo eu neque.
- Sed ornare turpis id mauris.
- Aliquam lobortis vehicula urna.
- Proin convallis lacinia dui.



To Schedule a Benewise demo, email info@benewise.com or call Joni Long at 1-888-888-8888

Client: Employee Association of Florida, Inc.

Responsibility: Conceptualize promotion campaign for EAF to transition to web-based employee benefits management system from a paper-based one.

Skills: Design, copy writing

Tools: Photoshop, InDesign, Illustrator



Client: Elise Garcia

Responsibility: Conduct photo shoot of aspiring model and create comp card for promotional purposes.

Skills: Design, Photography

Tools: Photoshop, InDesign, Nikon D60